



Engineering Design & Analysis

VALUE ADDED SERVICES TO THE MANUFACTURING SECTOR

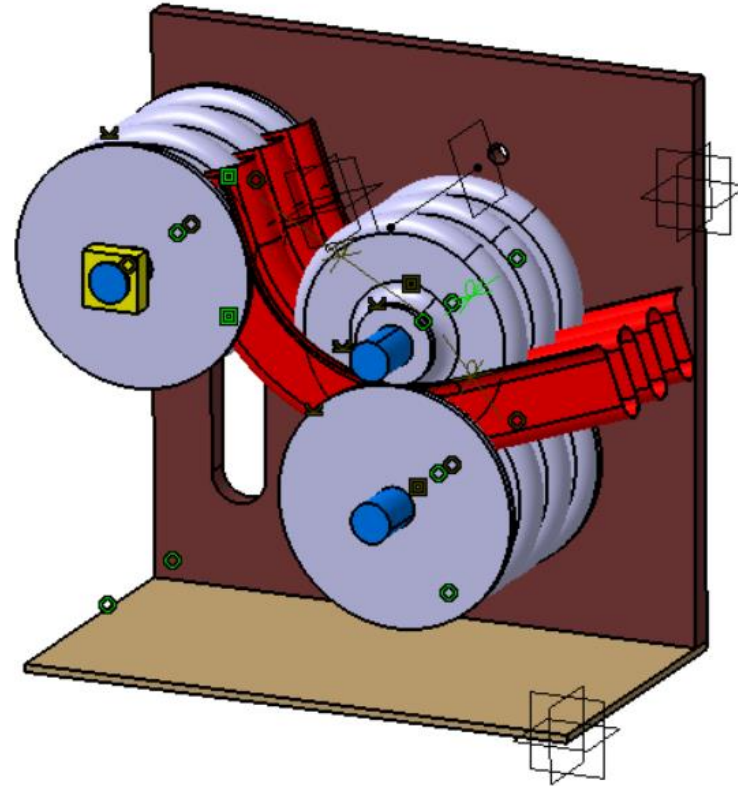
About Us

- Iterative Knowledge Solutions is an Engineering Design solutions provider based in Chennai, India.
- We have 30 employees working on various projects.
- Our core values are value addition to the customer, and partnering to support the customer's success story.
- Our unique design process methodologies enable time and cost savings in design development.

Our Capabilities

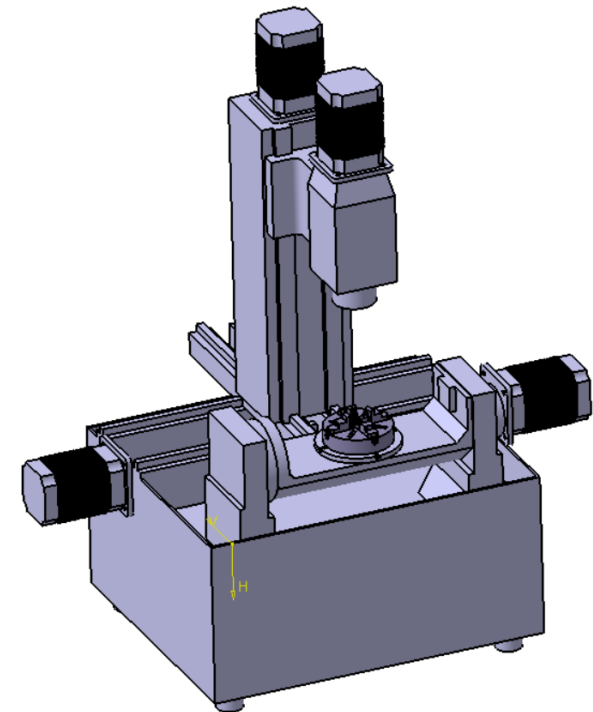
3D Modelling for applications in sectors such as:

- ❑ Machine Design
- ❑ Oil & Gas
- ❑ Aerospace
- ❑ Automotive
- ❑ Other manufacturing.



Our Services

- ❑ 3D Modelling and 2D Drafting
- ❑ Engineering Design
- ❑ Engine Component Design
- ❑ Reverse Engineering
- ❑ Machine Design
- ❑ CAD Conversion
- ❑ Product Design and Development
- ❑ Tool and Fixture Design
- ❑ Finite Element Analysis (Static & Dynamic Analysis)
- ❑ Computational Fluid Dynamics (CFD).



Some of our customers



Thank you

We look forward to working with you

